

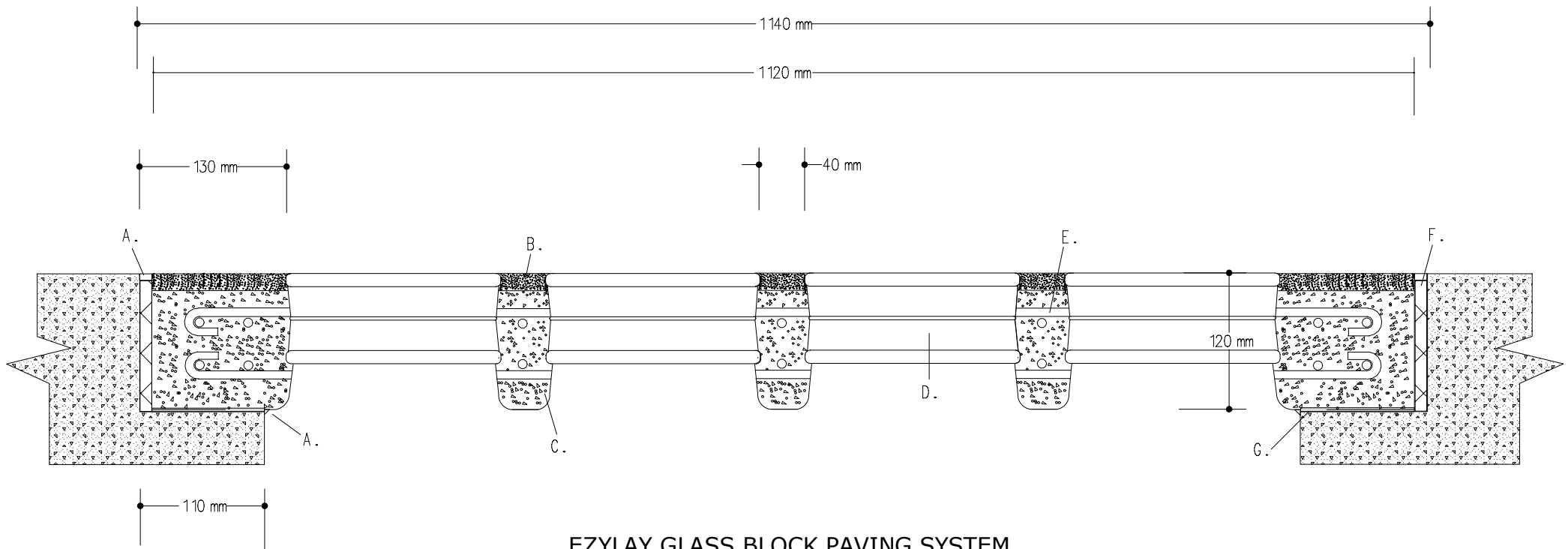
Legend:

- A. Fire resistant sealant
- B. Ezylay topping mix
- C. Ezylay paving concrete
- D. Glass block paver
- E. Ribbed steel reinforcing rods
- F. Fire resistant expansion strip
- G. Fire resistant bond breaker between surfaces

Please Note :

Structural elements of Glass Block Paving Panels will need to be certified by Glass Block Technologies International in reference to :

- the size and type of steel reinforcing rods
- the structural steel or concrete supports
- the type and size of glass block pavers
- the composition of paving concrete



**EZYLAY GLASS BLOCK PAVING SYSTEM
FIRE RATED SECTION DETAIL
F 1930 - 190 x 190 x 80mm PAVERS**

TITLE:

Site pour - Firerated concrete Glass Block floor panel
Section Detail
F 1930 - 190 x 190 x 80mm pavers

SCALE:

1 : 5

VERSION:

Feb 2002

DRAWN:

B F

DRAWING NO:

9



GLASS BLOCK TECHNOLOGIES INTERNATIONAL

Committed to excellence, quality and innovation

Correspondence: PO Box 3047, Malaga DC, Australia 6945

